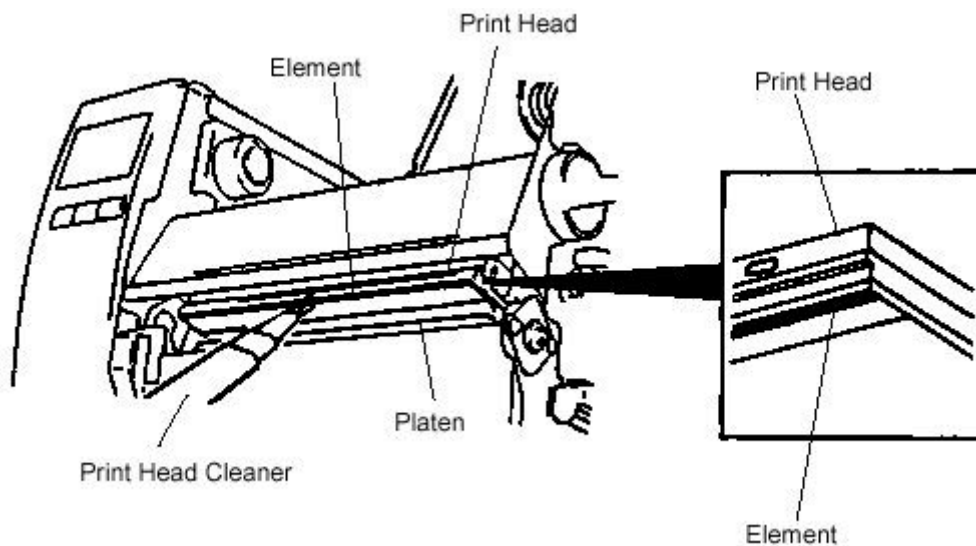




To help retain the high quality and performance of your printer it should be regularly cleaned. The greater the usage of the printer, the more frequent the cleaning.

1. Turn the power off.
2. Open the top cover and right side cover.
3. Turn the head lever to raise the print head.
4. Remove the ribbon and media..
5. Hold swab inverted (pad lowermost) and squeeze transparent tube firmly to break the seal and release cleaning solution onto pad (you should see a bubble rise up the tube).
6. Clean the element of the print head by gently wiping with the cleaning swab pad – take care not to press delivery tube against head.
(WARNING – use only TEC approved cleaning pen/swab. This expensive component is delicate and may be damaged by use of inappropriate materials.)
7. Clean the platen with the cleaning swab.
(DO NOT reuse swab on print head after cleaning platen as it may have become contaminated with debris).
8. Dispose of used swab. Wait for at least one minute before reloading ribbon and/or media to allow any remaining cleaning solution to evaporate.



Refer to TEC manual for further cleaning/maintenance operations.

Contact Hibiscus PLC to order your supplies of cleaning materials.

Price £12 per pack of 5 + Delivery
(or £10 delivery free when ordered with ribbons).