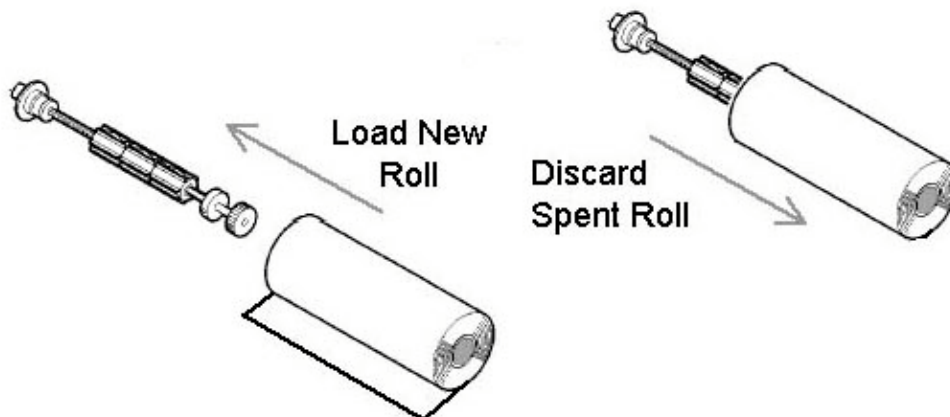
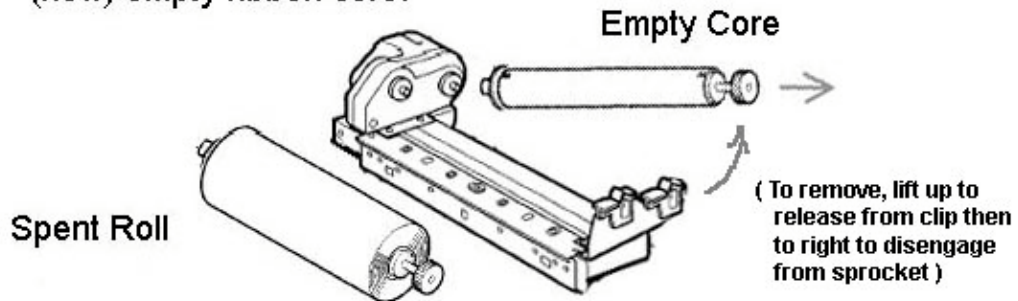
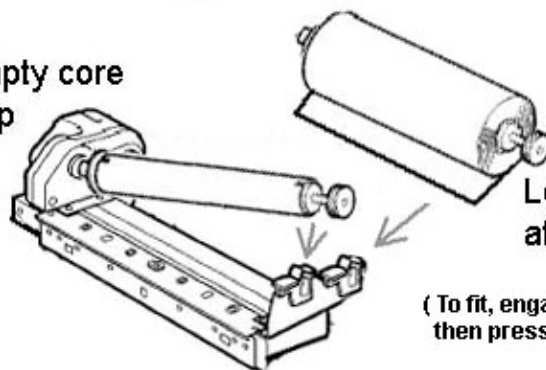




Remove ribbon bobbins holding the spent ribbon roll and the (now) empty ribbon core.



Move empty core to take-up position



Wrap ribbon foil around head assembly and press adhesive edge to empty core; wind on past end of ribbon leader.

